

TRU-WOOD CABINETS

Specification Catalog

The Value Series



Made in U.S.A

41778 Hwy 77 N
P.O. Box 640
Ashland, Al 36251
(256) 354-3378
(800) 982-8056
Fax (256) 354-4245
Fax (256) 354-7440

950 Charles St.
Suite 100
Longwood, Fl 32750
(407) 331-1858
(800) 221-6813
Fax (407) 331-1861
Fax (407) 331-7483

www.truwood.com



VALUE Series • OAK • BALTIC BIRCH • RUSSIAN MAPLE • HEVEA • FOIL

OAKHILL

COLORS



OAK

HARVEST *
 Frost
 Chestnut
 Spice
 Harvest White GL
 Harvest Choc GL
 Frost Chocolate GL
 Chestnut Choc GL
 Spice Choc GL
 Brandywine

FRONTIER

COLORS



HEVEA

Natural
HARVEST *
 Spice

CONCORD

COLORS



BALTIC BIRCH

Natural
 Harvest
 Frost
 Autumn
 Chestnut
 Spice
 Natural White GL
 Natural Choc GL
 Harvest White GL
 Harvest Choc GL
 Frost Chocolate GL
 Autumn Choc GL
 Chestnut Choc GL
SPICE CHOC GL *
 Brandywine

SHADOWOOD

COLORS



BALTIC BIRCH

NATURAL *
 Harvest
 Spice

GLACIER

COLORS



FOIL

WHITE *

SHENANDOAH

COLORS



RUSSIAN MAPLE

Natural
 Harvest
 Frost
 Natural White GL
 Natural Choc GL
 Harvest White GL
 Harvest Choc GL
 Frost Chocolate GL
AUTUMN CHOC GL *
 Chestnut Choc GL
 Spice Choc GL
 Brandywine

LIBERTY

COLORS



OAK

Harvest
 Frost
 Chestnut
SPICE *
 Harvest White GL
 Harvest Choc GL
 Frost Chocolate GL
 Chestnut Choc GL
 Spice Choc GL
 Brandywine

WOODBIDGE

COLORS



BALTIC BIRCH

Harvest *
 Autumn
 Spice

VALUE Series

* DESIGNATES COLOR OF DOOR ILLUSTRATED

TRU-WOOD CABINETS INC.



(1)

ONE YEAR LIMITED WARRANTY

We warrant our cabinets to be free from unnatural defects in material and/or workmanship under normal residential usage to the original purchaser for a period of ONE year from installation.

This is a warranty of the cabinets only and this warranty does not cover the installation of such cabinets or related items, such as appliances, countertops or plumbing fixtures. This warranty does not apply to damage incurred in transportation (other than Tru-Wood deliveries), storage and installation, or to damage arising from misuse, abuse accident, alteration, improper care or failure to perform reasonable maintenance after installation.

Product ordered unfinished is not covered by the warranty.

To submit a claim under this warranty, please write a letter explaining the defect with a copy of your proof of purchase. Should we determine that the product is defective, we shall repair or replace the product at our option, which shall be the sole and exclusive remedy.

Merchandise is not to be returned to us without proper written authorization from the factory and returns shall be freight prepaid.

This warranty is in lieu of all other warranties expressed or implied, including any WARRANTY OF MERCHANTABILITY or fitness for any particular purpose. We shall not be liable for incidental or consequential damages.

Some states do not allow limitations on how long an implied warranty lasts or limitations and exclusions of incidental or consequential damages, so the above limitations and exclusions may not apply to you.

Tru-Wood Cabinets Inc. 41778 Highway 77 North P.O. Box 640 Ashland, AL 36251

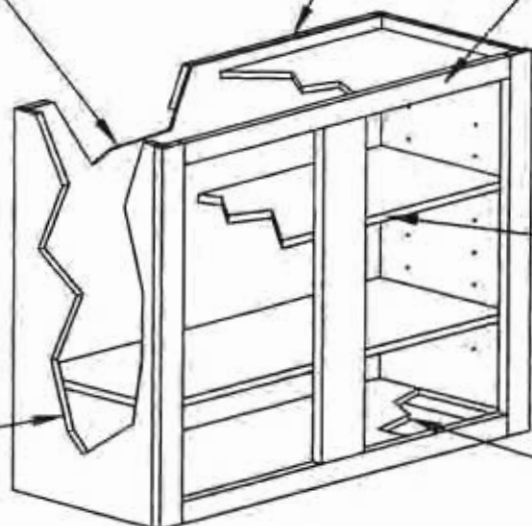
WALL CABINET

Back: 3.5 mm plywood
Natural Birch plywood
paper laminate interior

Hanging Rail:
12 mm plywood

Face Frame: 3/4" x 1 3/4"
hardwood solid; mortise
and tenoned; glued and
stapled construction
Fronter: Stiles - 1 1/2"
Mullions - 3"

Hinge: Fully
concealed; adjustable
wrap around European
hinges; excluding
Shadowood



Shelves: 15 mm
plywood; adjustable;
Natural Birch paper
laminate shelf with
matching edge
banding

End Panel: 12 mm
plywood; Natural
Birch paper laminate
interior; Natural
Oak/Birch exterior

Top & Bottom: 12 mm
plywood; Natural Birch
laminate paper interior
and exterior

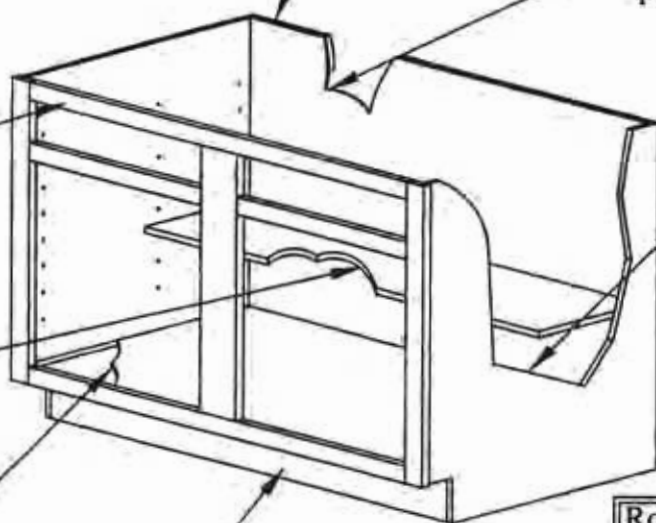
BASE CABINET

Hinge: Fully
concealed; adjustable
wrap around European
hinges; excluding
Shadowood

Hanging Rail:
12 mm plywood

Back: 3.5 mm plywood
Natural Birch plywood
paper laminate interior

Face Frame: 3/4" x 1 3/4"
hardwood solid; mortised
and tenoned; glued and
stapled construction
Fronter: Stiles - 1 1/2"
Mullions - 3"



End Panel: 12 mm
plywood; Natural
Birch paper laminate
interior; Natural
Oak/Birch exterior

Shelves: 15 mm
plywood; adjustable;
Natural Birch paper
laminate shelf with
matching edgbanding

Drawer Construction
Sides - 15 mm ply
Ends - 15 mm ply
Bottom - 3.5 mm ply
Hardware - Epoxy
coated side mounted

Floor: 12 mm plywood;
Natural Birch laminate
paper interior

Toe Kick:
12 mm plywood

Rollout - 3/4" front, 1/2" side,
5/8" back, 1/4" bottom
undermount hardware

Tru-Wood Cabinets Inc.

Wood Characteristics

VALUE SERIES

BALTIC BIRCH

- A hardwood that runs in the color range of off-white to light brown. Natural characteristics include fleck, mineral streaks, pin knots and light heartwood. Mineral streaks are acceptable with no limits. This diffuse-porous wood stains unevenly giving the wood a polychromatic appearance.

RED BIRCH

- A hardwood with a color range of light pink to reddish brown to slightly purple. Natural characteristics of this wood include a tight, indistinct grain, streaky color similar to figured or curly grain with contrasting shades of red and brown. Color variation will be significant. Heartwood may run from light brown tinged with red to dark brown. Mineral streaks are acceptable with no limits. The diffuse-porous grains will tend to stain unevenly giving the wood a polychromatic appearance.

WHITE OAK

- An open-pored hardwood that is a hard, tough and straight grained. The heartwood is grayish brown and the sapwood is nearly white. There will be a wide range of color variation in white oak. White sapwood and mineral streaks are acceptable. Natural characteristics of white oak include ray flecking.

MDF (MEDIUM DENSITY FIBERBOARD)

- Engineered board with a 300 micron vinyl coating applied over the MDF board. Environmental conditions such as sunlight and smoke may affect the color over time. Frames are Baltic Birch wood painted white.

The Natural Beauty of Wood

The beauty of our finished cabinetry comes from the qualities of wood itself. The select solid hardwood and hardwood veneers used by TRU-WOOD Cabinets may vary in color from shades of white, red, black and even green in areas. Mineral streaks are often present in the finest hardwoods where the wood has absorbed minerals from the soil during the years of growth. Grain patterns and apparent textures will vary from "even" to "relatively wild".

These natural variations will appear throughout your cabinetry. They will occur on adjacent cabinets, between pairs of doors and/or drawers on the same cabinet or even within the same panel.

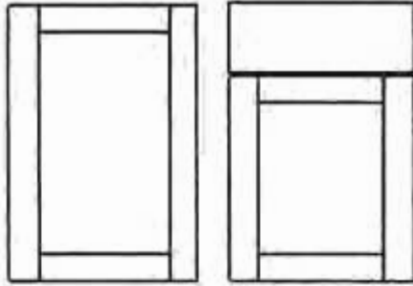
We call these characteristics to your attention because the effect of these variations in your entire room may be different from what you see now in viewing a small display or a finished sample. The variations are broad, but they are the beauty of natural wood.

We mention these conditions because neither TRU-WOOD Cabinets nor your TRU-WOOD Cabinets dealer can be held responsible for the type of degree of variation you may experience in your cabinetry.

It must be remembered that Mother Nature keeps on working after you have installed your original order.

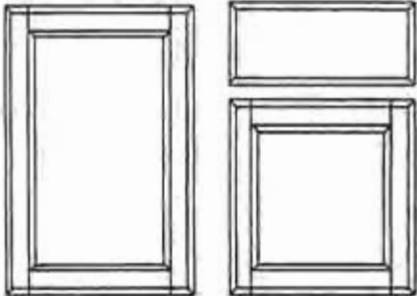
VALUE SERIES DOOR STYLES

RED BIRCH



Shenandoah

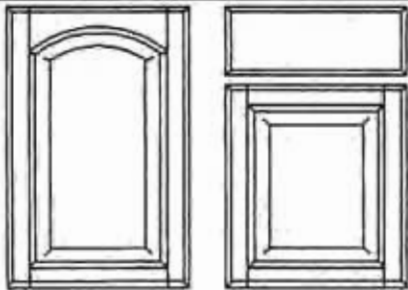
- Door is a 5-piece Full Overlay with a 3/8" reveal.
- Door is 3/4" thick with a 1/4" Birch recessed veneer flat panel surrounded by 2 1/4" solid Birch stiles and rails. Outside profiles have a square eased radius.
- Drawer Front is a 1/4" solid wood Birch slab with a square eased radius outside profile.
- Requires hardware
- Available in Square only



Woodbridge

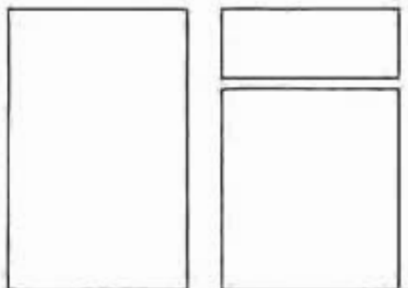
- Door is a 5 piece Partial Overlay door with a 1 1/4" reveal
- Door is 3/4" thick with a 3/16" recessed flat Birch veneer panel surrounded by 2" solid wood 14 degree reverse beveled stiles and rails.
- Drawer Front is 1/4" thick slab with a 14 degree beveled edge profile.
- Available in Square only.

BALTIC BIRCH



Concord

- Door is a 5-piece Partial Overlay with a 1 1/4" reveal
- Door is 3/4" thick with a 5/8" solid wood, raised center, Baltic Birch panel with 2" solid wood stiles and rails with a 14 degree reversed bevel outside edge profile.
- Drawer Front is a 3/4" solid wood, Baltic Birch, slab with a 14 degree beveled edge profile.
- Available in Square or Arch



Shadowwood

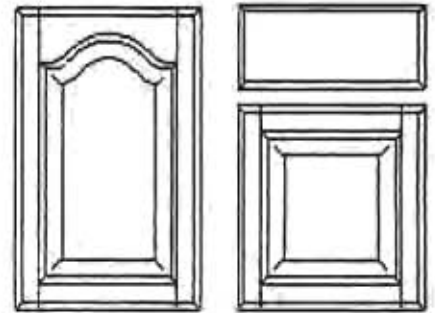
- Door is a solid slab Partial Overlay with a 1 1/4" reveal
- Door is 18mm thick veneer 13-ply Baltic Birch slab with a reversed bevel edge profile.
- Drawer front is a 18mm veneer, 13-ply, Baltic Birch, slab with a reversed bevel edge profile.
- Available in Square only

VALUE SERIES DOOR STYLES

WHITE OAK

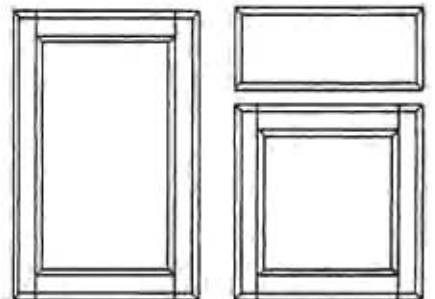
Oak Hill

- Door is a 5-piece Partial Overlay with a 1 1/4" reveal
- Door is a 3/4" thick with a 5/8" solid wood, White Oak, raised center panel with 2" solid wood stiles and rails with a 14 degree outside edge profile.
- Drawer Front is a 3/4" solid wood, White Oak, slab with a 14 degree beveled edge profile.
- Available in Square or Cathedral



Liberty

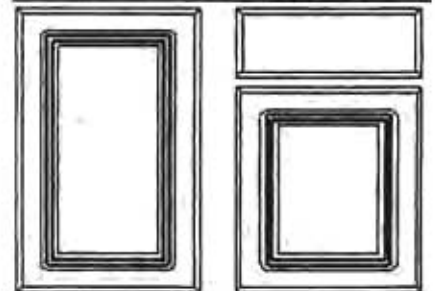
- Door is a 5 piece Partial Overlay door with a 1 1/4" reveal
- Door is 3/4" thick with a 3/16" recessed oak flat veneer panel surrounded by 2" solid wood 14 degree reverse beveled stiles and rails.
- Drawer Front is 3/4" thick slab with a 14 degree beveled edge profile.
- Available in Square only.



Frontier

- Door is a routed slab Partial Overlay with a 1" reveal
- Door is a 3/4" solid routed panel with a 3/8" deep decorative route with a 14 degree outside edge profile.
- Drawer Front is a 3/4" solid wood slab with a 14 degree outside edge profile.
- Available in Square only

HARDWOOD



Glacier White

- Door is a routed slab Full Overlay with a 3/8" reveal
- Door is a 3/4" medium density fiberboard covered with a 10 mil thermofoil with a 3/8" deep routed panel with a slight routed profiled edge.
- Drawer Front is a 3/4" medium density fiberboard slab with a slight routed edge profile.
- Requires Hardware
- Available in Square or Arch

THERMOFOIL

