



KI9-1-1 SERIES

**MODEL KI 9-1-1
SINGLE HUNG/EMERGENCY EGRESS WINDOW**

Please contact Keystone for test report information.



Operates as a Single Hung Window



In Case of Emergency →



Swings Out to Become an Egress Opening



KI9-1-1 FEATURES:

- 3 3/8" Frame Depth
- Block & Tackle Balances
- Structural Thermal Strut for Superior U-Factors
- Automatic Locking at the Sill
- Euro-Groove Design for Hardware Versatility
- Dry Glazed with EPDM & Marine Vinyl
- 7/8" Overall Glazing
- Custom Design Availability
- May be Fitted with Insect or Security Screen While Still Meeting Egress Codes

Introducing the Keystone Industries model KI 9-1-1.

Under normal conditions, this innovative product functions in the same manner as a typical single hung window. However...

When the emergency release is thrown, the entire fixed and operable area of the window swings outward to become an egress opening.

The egress opening provided by the KI 9-1-1 can easily meet the NFPA (National Fire Protection Agency) prescribed requirement for a minimum net clear opening of 5.7 square ft.² – the area necessary for a person to exit the building and for a fully outfitted fireman to enter the building in a rescue situation.

The minimum frame size for a KI9-1-1 to meet 5.7 ft.² is 28.5" x 45.5".



Pictured: A Keystone KI6100 Double Hung Window to the left of a KI9-1-1 Emergency Egress Window. Matching sightlines between the two products make for a seamless appearance from the exterior of the building.

For More Information, please contact:

Keystone Industries Window & Screen Systems, Inc.
105 Mahoning Ave.
New Castle, Pennsylvania 16102
Toll Free: (800) 648-8341 • Fax: (724) 658-0589
customerservice@keystone-industries.com



The KI 9-1-1 is also available in a Casement model.

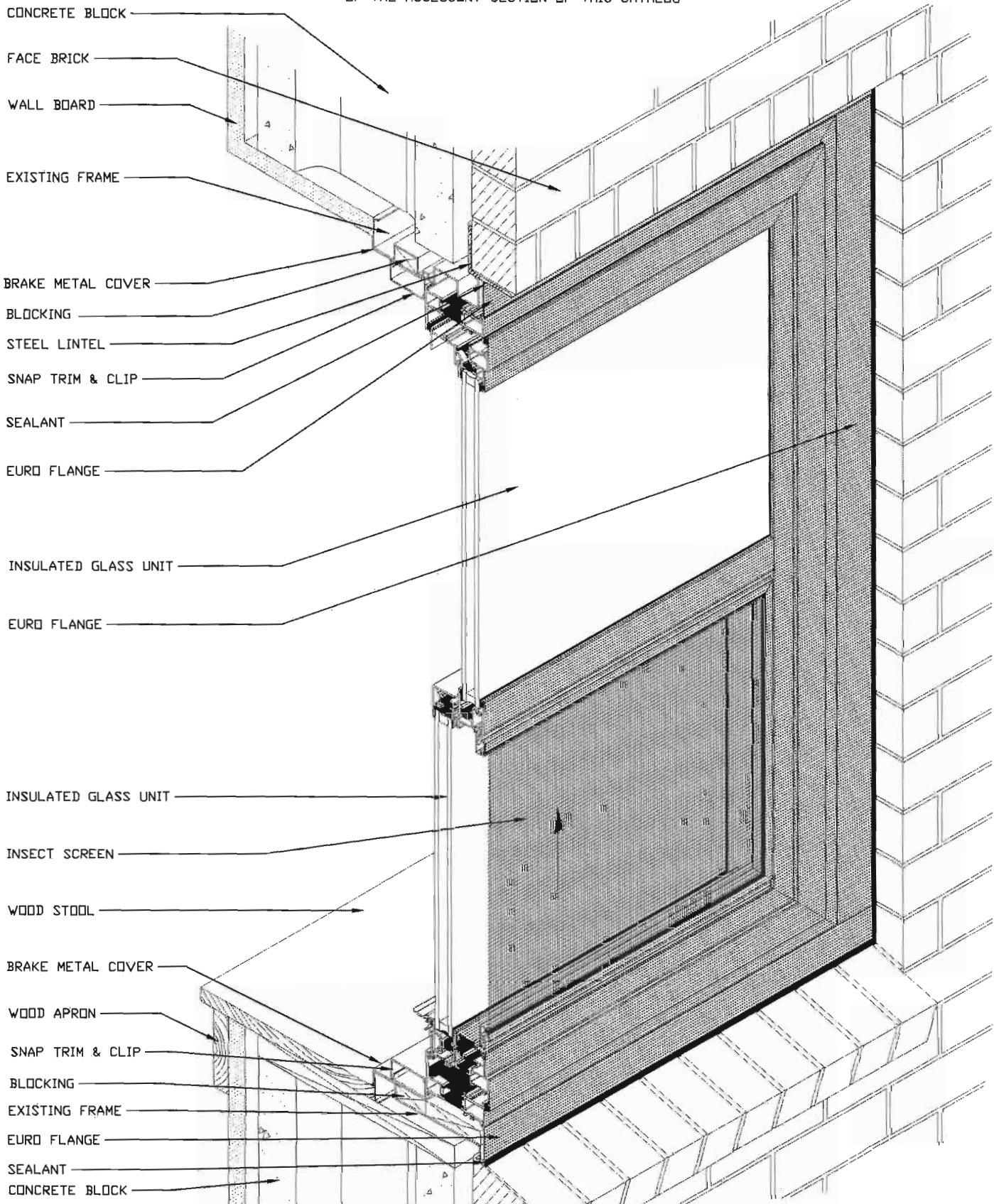
Pictured on the left is a Casement KI 9-1-1 providing an egress opening for a school classroom.

It is designed to match the sight lines of the adjacent Fixed/Hopper windows for an esthetically consistent look.

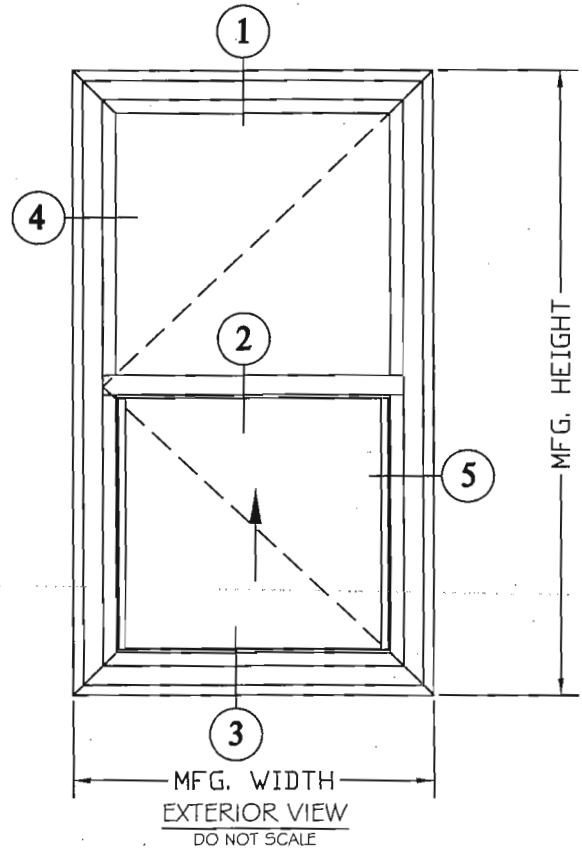
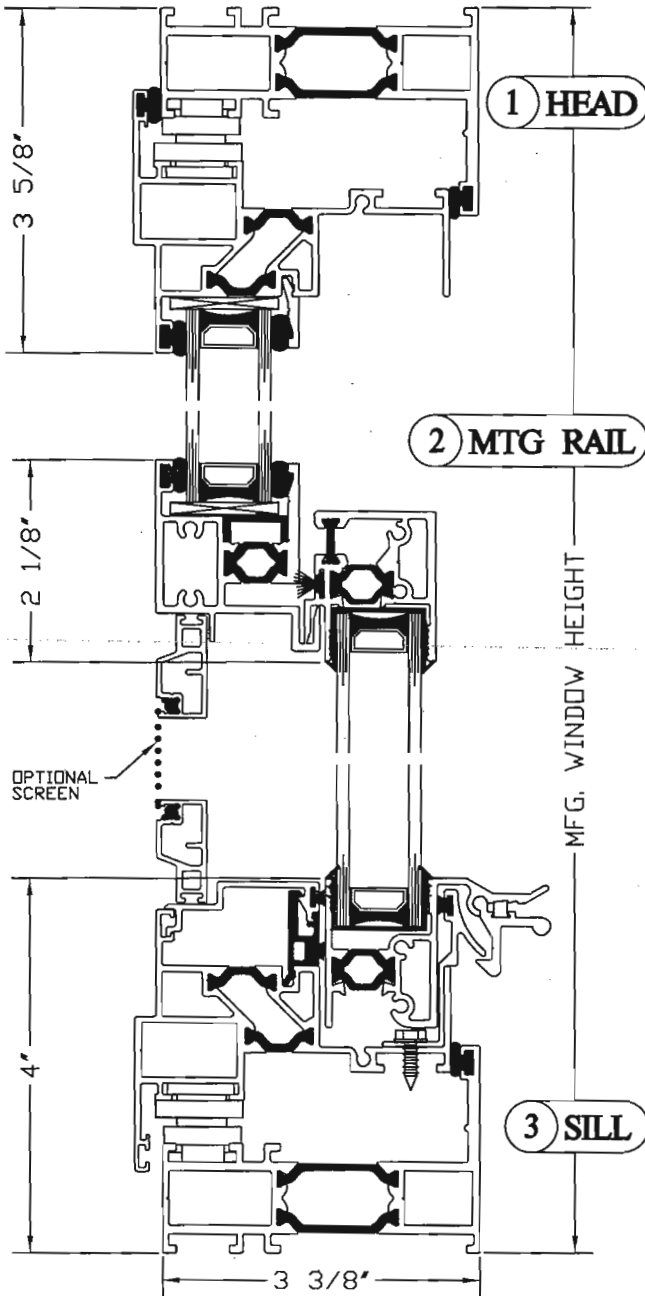
Keystone window and door products are tested to the standards of and certified by the American Architectural Manufacturer's Association and the National Fenestration Rating Council.



MODEL KI9-1-1 WITH EURO FLANGE & TRIM
 ALSO SEE PAGE CAULK-EXPANDERS-FLANGES_3 AND PAGES TRIM&CLIP_1 AND 2
 OF THE ACCESSORY SECTION OF THIS CATALOG



**CASEMENT / SINGLE HUNG
3 3/8" PROJECT-OUT
EMERGENCY EGRESS**

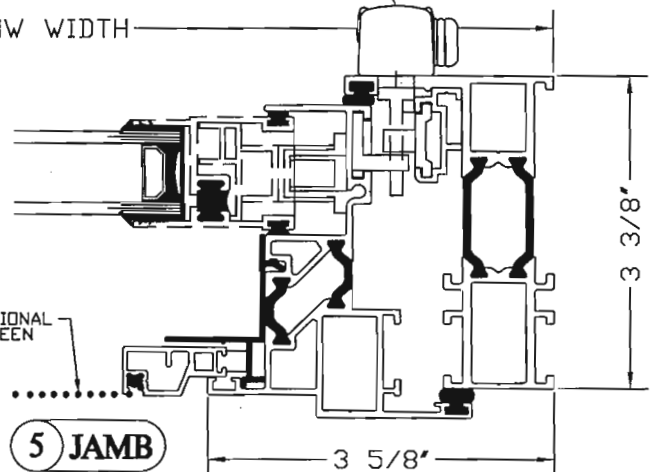
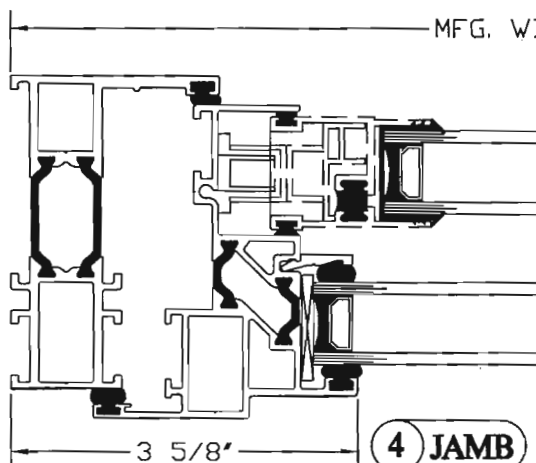


DEDUCTS FOR EGRESS DIMENSIONS:
 FRAME WIDTH - 6.5" = EGRESS WIDTH
 FRAME HEIGHT - 4.375" = EGRESS HEIGHT
 EXAMPLE: 32X48 FRAME WILL NET 25.50 X 43.625 DLO YIELDING 7.72 SQ/FT
 MIN. FRAME SIZE = 26.50" X 46.50" NET OF 20 X 42.125" DLO = 5.85 SQ/FT

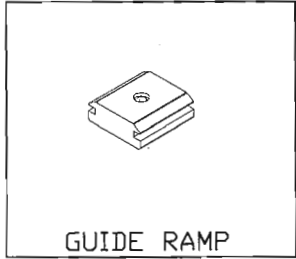
*CHECK LOCAL BUILDING CODES FOR YOUR PROJECT

DEDUCTS FOR VENTILATION DIMENSIONS:
 FRAME WIDTH - 6" = OPEN AREA WIDTH
 FRAME HEIGHT/2 - 7" = OPEN AREA HEIGHT
 EXAMPLE: 32X48 FRAME WILL NET 26" X 17" O.A. YIELDING 3.062 SQ/FT

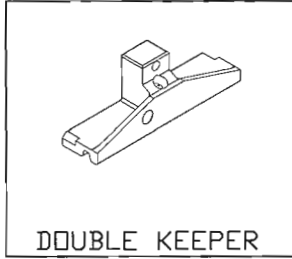
RED EMERGENCY
EGRESS HANDLE ONLY!



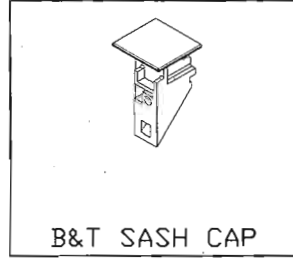
KI(6)9-1-1 PARTS



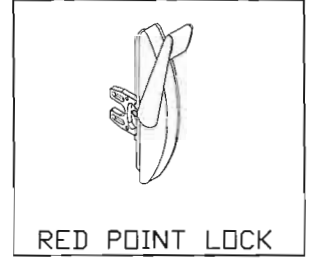
GUIDE RAMP



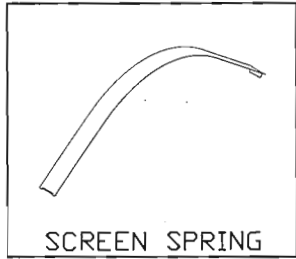
DOUBLE KEEPER



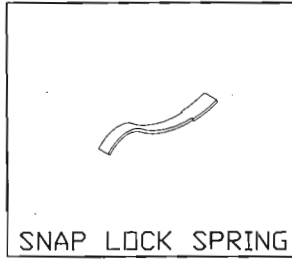
B&T SASH CAP



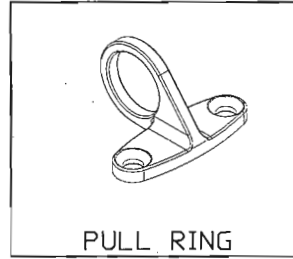
RED POINT LOCK



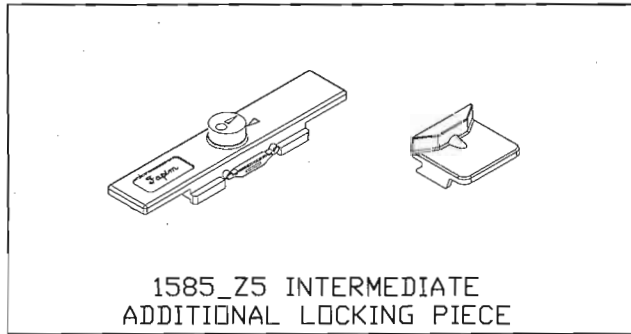
SCREEN SPRING



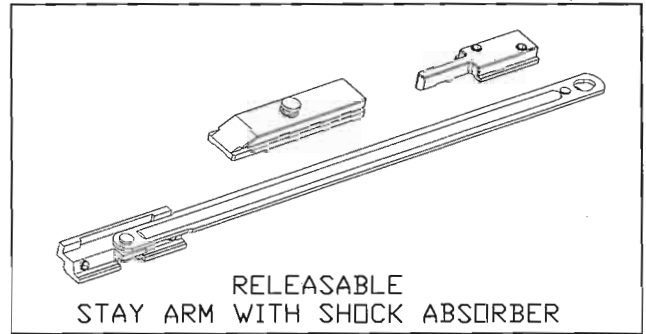
SNAP LOCK SPRING



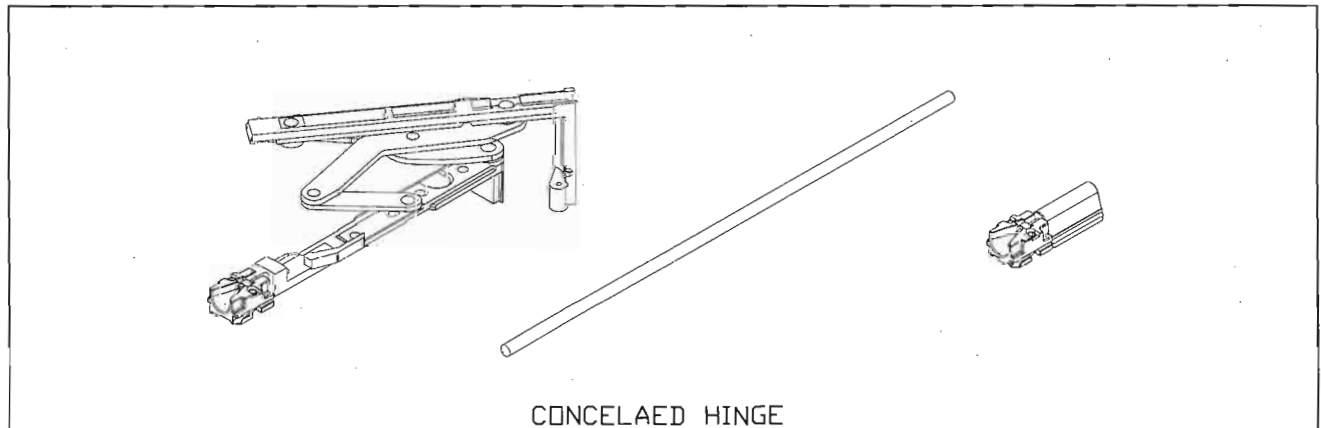
PULL RING



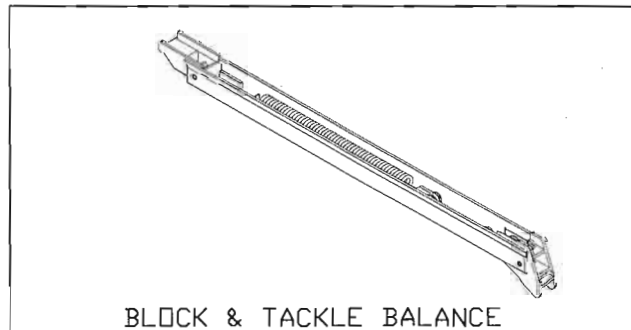
1585_Z5 INTERMEDIATE
ADDITIONAL LOCKING PIECE



RELEASABLE
STAY ARM WITH SHOCK ABSORBER



CONCEALED HINGE



BLOCK & TACKLE BALANCE

NOTE: These results were achieved under controlled conditions in a test laboratory. Due to factors such as size, geometry and collateral construction, results in the field may differ.

STRUCTURAL PERFORMANCE TEST REPORT SUMMARY

Rendered to: Keystone Industries Window & Screen Systems, Inc. **By:** Architectural Testing, Inc.

Series/Model: KI9-1-1

Type: Hinged Rescue Window

Overall Size: 4' 0" wide by 6' 0" high

Test Specifications: The test specimen was evaluated in accordance with the following:

ASTM E 283-04, Test Method for Determining Rate of Airflow through Exterior Windows, Curtain Walls and Doors Under Specified Pressure Differences Across the Specimen.

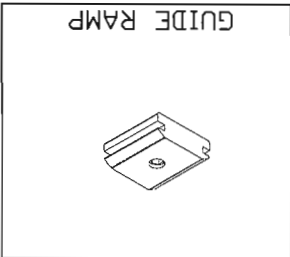
ASTM E 330-02, test Method for Structural Performance of exterior Windows, Curtain Walls and Doors by Uniform Static Air Pressure Difference

ASTM E 547-00, Test method for Water Penetration of exterior Windows, Curtain Walls and Doors by Uniform Cyclic Static Air Pressure Difference

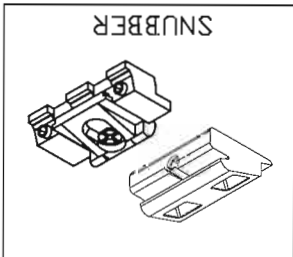
ASTM F 588-04, Test Methods for Resistance of Window Assemblies to Forced Entry Excluding Glazing.

Title	Summary of Results
Air Infiltration	0.23 cfm/ft ²
Water Resistance Test Pressure	6.06 psf
Uniform Load Deflection Test Pressure	±40.13 psf
Uniform Load Structural Test Pressure	±60.19 psf
Forced Entry Resistance	Grade 10

KI(7)9-1-1 PARTS



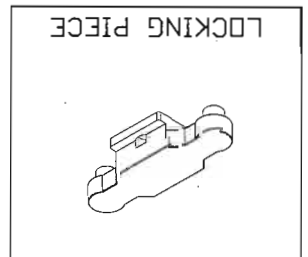
GUIDE RAMP



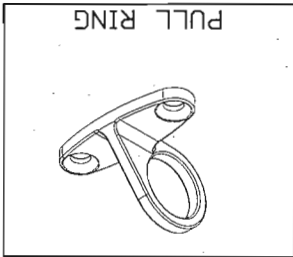
SNUBBER



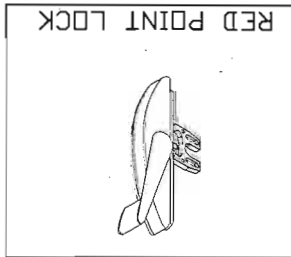
ADJUSTABLE
KEEPER



LOCKING PIECE



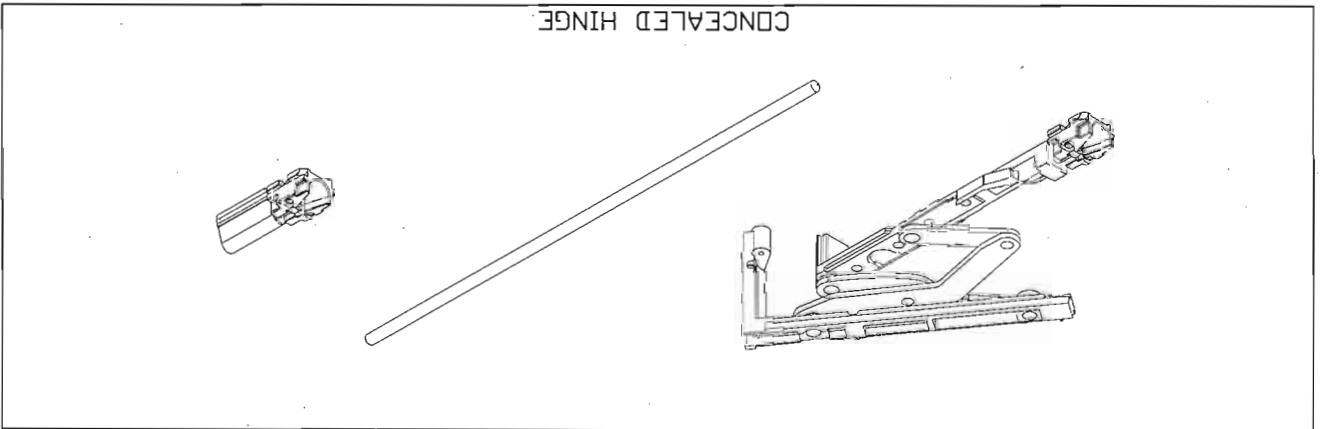
PULL RING



RED POINT LOCK



DOUBLE KEEPER



CONCEALED HINGE